

powermaster

KLT

Slide Door Operator for Refrigerator or Freezer Door Applications

STANDARD FEATURES

- HIGH STARTING TORQUE MOTOR W/ FULL OVERLOAD PROTECTION
- SOLID STATE CIRCUITRY WITH FEEDBACK LEDs
- ON BOARD OPEN/CLOSE/STOP BUTTONS FOR SERVICE AND ADJUSTMENTS
- FIELD ADJUSTABLE BUILT-IN FUNCTIONS
- AUTO-DETECT MONITORED PHOTO BEAM FOR SIMPLIFIED INSTALLATION
- USE WITH 3BX CONTROL STATION



*Complete selection of control stations
& accessories are available.*

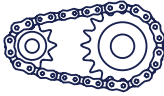


Power Door Products

(914) 698-5083

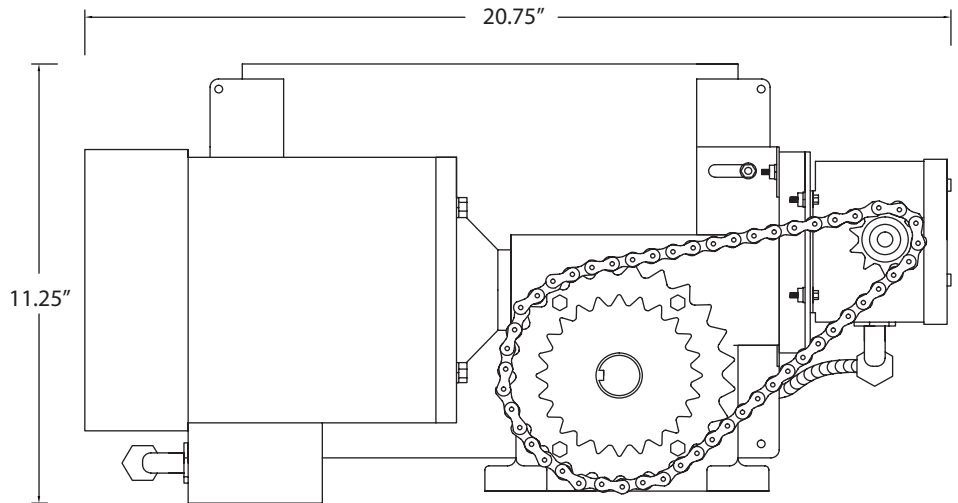
www.PowerDoorProducts.com

SERVICING THE INDUSTRY SINCE 1969



SPECIFICATIONS & FEATURES

Sliding door unit without track lends itself to a compact footprint for commercial refrigerator or freezer door warehouse applications. Mounts outside of refrigerated area, close to wall.



AVAILABLE HORSEPOWER:

1/2 HP - 1 HP

POWER REQUIREMENTS:

115/230V 1 PHASE OR
208/230/460V 3 PHASE

FIELD ADJUSTABLE BUILT IN FUNCTIONS INCLUDING: TIMER TO CLOSE, MID-STOP, DELAY ON REVERSE, LOCK BAR SENSING, MAXIMUM RUN TIME, ETC.

BAKED ON, POWDER COAT FINISH

SHIPPING WEIGHT: APPROX. 95 LBS



CAUTION

A moving door can cause serious injury or death! Carefully read and follow all safety instructions, precautions, and guidelines when installing and using this product. Motorized doors are for vehicles only. Pedestrians must use a separate entrance. **NO ONE SHOULD CROSS THE PATH OF A MOVING DOOR!** Proper reversing devices must be installed to avoid all hazards and entrapment. Eliminate all hazards and entrapment areas. Warning signs must be permanently installed and visible to traffic and pedestrians. Never allow children to operate or play with controls. Follow UL 325 and ASTM F220-02 standards. Do not install this product unless all hazards and entrapment points are protected.

