

powermaster

RSW

The RSW Operator controls vehicular swinging gates up to 350 pounds, with a maximum width of 12 feet. Units can cycle up to 12 times per hour, with a gate speed of 11 seconds from open to close.

STANDARD FEATURES

- PSC MOTOR
- TIMER TO CLOSE
- MASTER/SLAVE OPERATION
- LEFT/RIGHT CHANGEVER IN FIELD
- NEMA 1 ONE-BUTTON CONTROL STATION INCLUDED
- STANDBY POWER SUPPLY AVAILABLE



*Complete selection of control stations
& accessories are available.*

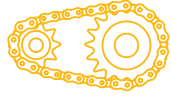
All gate operators must have contact and non-contact sensing system installed for operator to work properly and safely.



Power Door Products

(914) 698-5083

www.PowerDoorProducts.com



SPECIFICATIONS & FEATURES

AVAILABLE HORSE POWER: 1/2 HP

POWER REQUIREMENTS: 115 VOLTS, 1 PHASE

CLASS II LOW VOLTAGE CONTROL CIRCUIT

GATE CAPACITY: 350 LBS, 12 FT WIDE, UP TO 12 CYCLES PER HOUR

TRAVEL SPEED: 11 SECONDS TO FULL OPEN OR FULL CLOSE

HEAVY DUTY #11 GA. STEEL FRAME

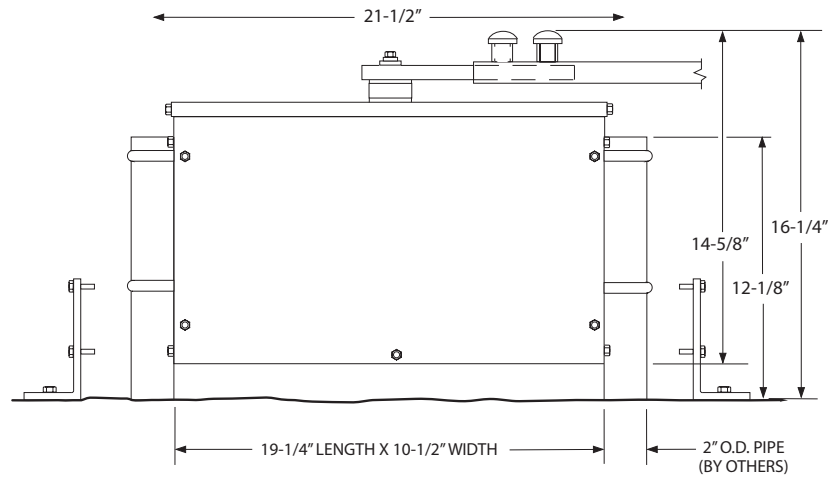
HARD SHELL, BAKED ON, WEATHER RESISTANT POWDER COATING

V-BELT PRIMARY REDUCTION FOR SMOOTH, QUIET AND POSITIVE OPERATION

DRIVE ARM EASILY DISCONNECTED FOR MANUAL OPERATION IN CASE OF POWER FAILURE

UL 325 LISTED FOR USE IN CLASS I THROUGH IV APPLICATIONS

SHIPPING WEIGHT: APPROX. 83 LBS



OPTIONAL EQUIPMENT

- RADIO CONTROL
- ADDITIONAL SAFETY EDGE (CONTACT SAFETY SENSOR)
- ADDITIONAL PHOTO CELL (NON-CONTACT SAFETY SENSOR)
- PLUG-IN LOOP DETECTORS
- CARD KEY READER

CAUTION

A moving gate can cause serious injury or death! Carefully read and follow all safety instructions, precautions, and guidelines when installing and using this product. Motorized gates are for vehicles only. Pedestrians must use a separate entrance. **NO ONE SHOULD CROSS THE PATH OF A MOVING GATE!** Proper reversing devices must be installed on gates to avoid all hazards, pinch points and entrapment. Eliminate all hazards, pinch points and entrapment areas. Warning signs must be permanently installed and visible to traffic and pedestrians. Do not mount operating devices accessible through gates or between a gate and wall. Never allow children to lay in the path of a gate. Never allow children to operate or play with the gate controls. Follow UL 325 and ASTM F220-02 standards. Do not install this product unless all hazards, pinch points and entrapment points are protected.

