

powermaster

D-MG

**Gearhead Operator with DC Motor and Battery Backup
for Sectional and Rolling Service Doors & Grilles**

STANDARD FEATURES

- BATTERY BACKUP
- SOLID STATE CIRCUITRY WITH FEEDBACK LEDS
- ON BOARD OPEN/CLOSE/STOP BUTTONS FOR SERVICE AND ADJUSTMENTS
- FIELD ADJUSTABLE BUILT-IN FUNCTIONS
- AUTO-DETECT MONITORED PHOTO BEAM
- FLOOR LEVEL DISCONNECT W/CHAIN HOIST INTERLOCK FOR MANUAL OPERATION



*Complete selection of control stations
& accessories are available.*

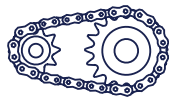


Power Door Products

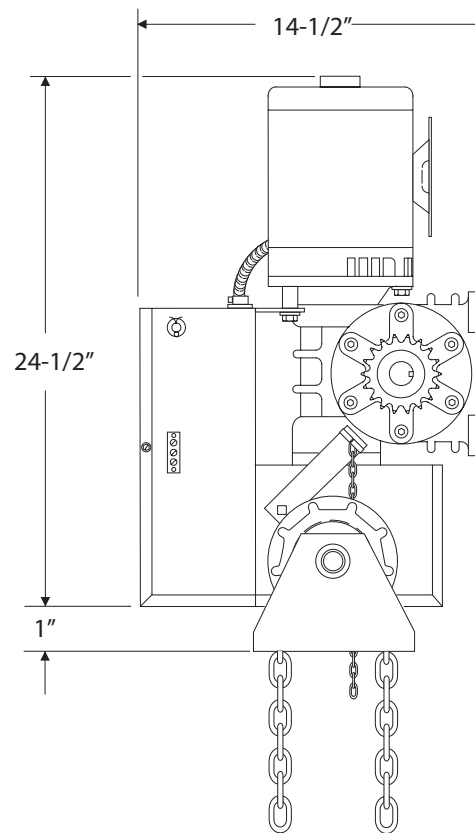
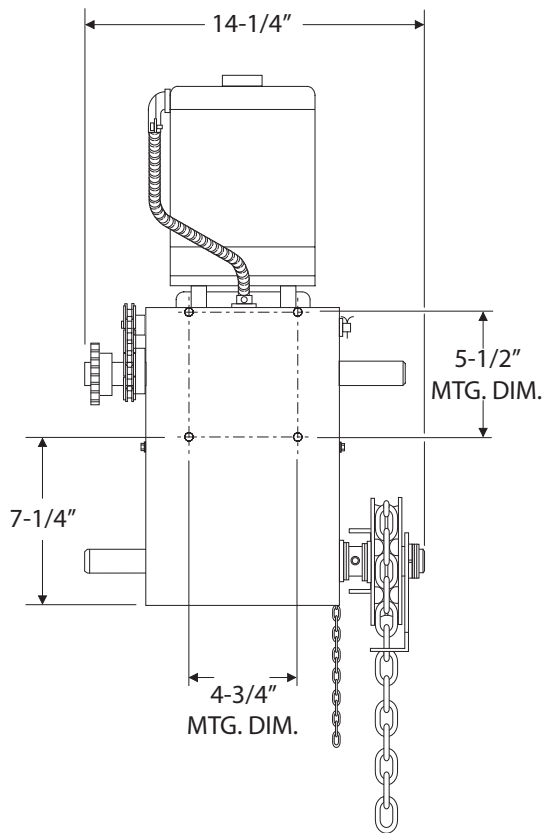
(914) 698-5083

www.PowerDoorProducts.com

SERVICING THE INDUSTRY SINCE 1969



SPECIFICATIONS & FEATURES



AVAILABLE HORSE POWER: 588 WATTS (1/2 HP EQUIVALENT)

POWER REQUIREMENTS: 115VAC

SELECTABLE OPERATING MODES B2, C2, D1, E2, T, TS

FIELD ADJUSTABLE BUILT IN FUNCTIONS INCLUDING:
TIMER TO CLOSE, MID-STOP, DELAY ON REVERSE,
LOCK BAR SENSING, MAXIMUM RUN TIME, ETC.

HEAVY DUTY #50 ROLLER CHAIN AND DRIVE SPROCKET INCLUDED

MECHANICALLY SELF LOCKING GEAR REDUCER (OIL BATH TYPE)

BAKED ON, BLACK POWDER COAT FINISH

ADJUSTABLE TORQUE LIMITING CLUTCH OPTIONAL

SHIPPING WEIGHT: APPROX. 132 LBS

CAUTION

A moving door can cause serious injury or death! Carefully read and follow all safety instructions, precautions, and guidelines when installing and using this product. Motorized doors are for vehicles only. Pedestrians must use a separate entrance. **NO ONE SHOULD CROSS THE PATH OF A MOVING DOOR!** Proper reversing devices must be installed to avoid all hazards and entrapment. Eliminate all hazards and entrapment areas. Warning signs must be permanently installed and visible to traffic and pedestrians. Never allow children to operate or play with controls. Follow UL 325 and ASTM F220-02 standards. Do not install this product unless all hazards and entrapment points are protected.

