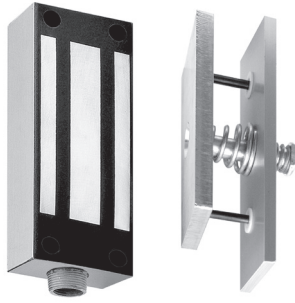


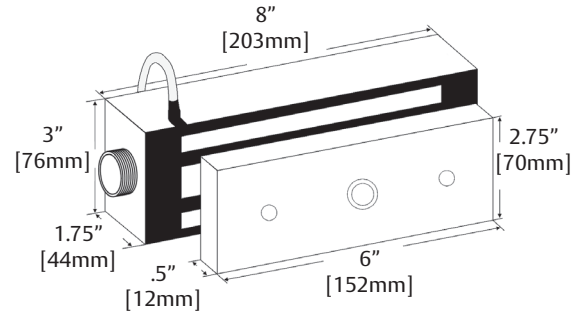
M62FG-SASM 1200 lbs. Holding Force Gate Magnalock®



1200 lbs. holding force weatherproof face-mounted Magnalock with conduit fitting and automatic dual voltage. Shock Absorbing Strike Mount (SASM) controls excessive impact between the strike and the Magnalock, dramatically prolonging the life of the lock, gate and other hardware. SASM is available with the M62FG, or as an individual kit to retrofit existing M32, M62 or M82 Gate Magnalock installations. Recommended for high security perimeter fence gates and electrically operated sliding gates. Brackets shown not included.

Product Features

- Patented instant release circuit - no residual magnetism
- Fully sealed electronics - tamper proof and weatherproof
- Ten feet [3.05m] of jacketed, stranded conductor
- Automatic dual voltage - no field adjustment required
- Universal threaded conduit fitting is 1/2" female - 3/4" male
- SASM is a simple-to-install Stainless Steel parts kit
- SASM main spring provides 5/8" impact compression and 110 lbs resistance
- SASM anti-kickback spring provides 3/8" of rebound travel to return the gate to the normal "home" position

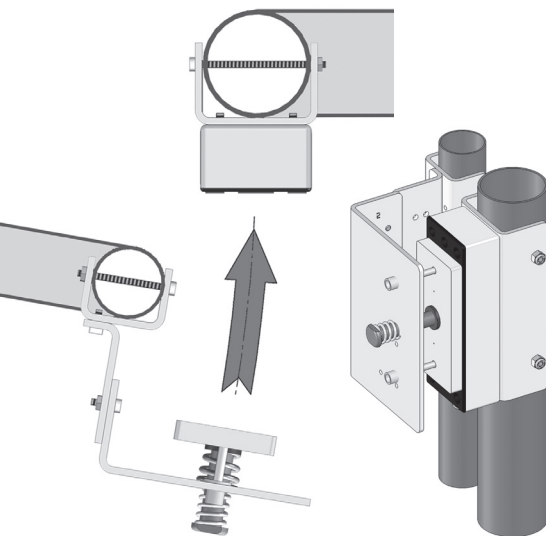


Specification Data

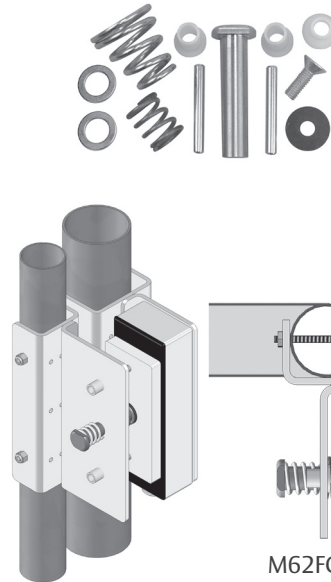
Holding Force: 1200 lbs. [544 Kg.]
 Current Draw and Voltage: 250mA at 12VDC; 125mA at 24VDC
 Operating Temperature: -40 to +140F [-40 to +60C]
 Shipping Weight: M62FG-SASM -12 lbs.
 Warranty: MagnaCare Lifetime Replacement Warranty

How To Order

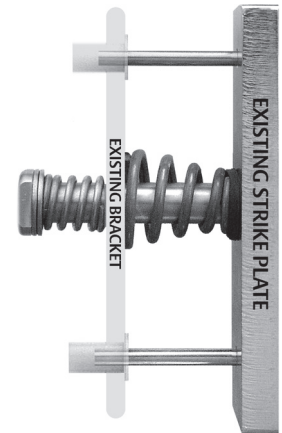
Part #	Description
M62FG-SASM	Model 62, Face Mount, Conduit with SASM Kit
SASM	Shock Absorbing Strike Mount Kit



M62FG-SASM on Swinging Gate Using Flex-Mount Bracket Kit FMK-SW



M62FG-SASM on Sliding Gate Using Flex-Mount Bracket Kit FMK-SL



Stainless Steel parts kit retrofits any existing M32, M62 or M82 strike plate for superior impact absorption