

# powermaster

## APT

### Apartment House Drawbar Operator for Use on Sectional Doors Requiring High Cycles and Quiet Operation

#### STANDARD FEATURES

- 115 VAC RESILIENT MOUNT PSC FULL OVERLOAD PROTECTION
- NYLON-LINED TROLLEY
- QUICK RELEASE DOOR ARM FOR MANUAL OPERATION
- ON BOARD OPEN/CLOSE/STOP BUTTONS FOR SERVICE AND ADJUSTMENTS
- SOLID STATE CIRCUITRY WITH FEEDBACK LEDS
- AUTO-DETECT, MONITORED PHOTO BEAM FOR SIMPLIFIED INSTALLATION
- DUAL FUNCTION TIMER
- REMOTE MOUNTABLE WARNING LIGHT MODULE WITH RED AND GREEN LIGHTS (LED RECOMMENDED)



STANDARD  
LIGHT PACKAGE



UPGRADED  
LIGHT PACKAGE



*Complete selection of control stations  
& accessories are available.*

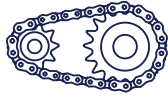
All door operators are required to have a monitored safety system, such as monitored photo eyes and/or monitored 2 or 4 wire obstruction sensing edge. In addition, an ancillary device may be used. The primary device must be a constantly monitored, anti entrapment/safety device.



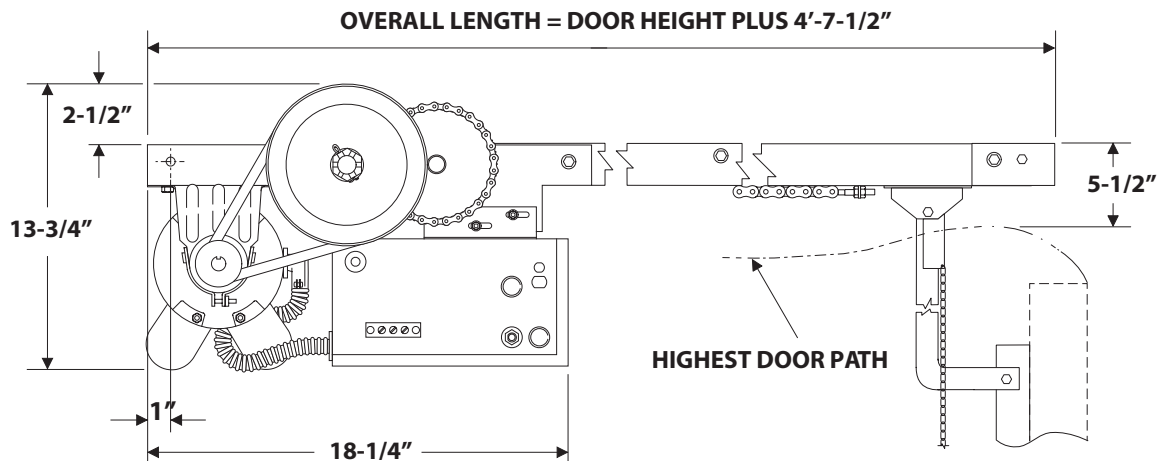
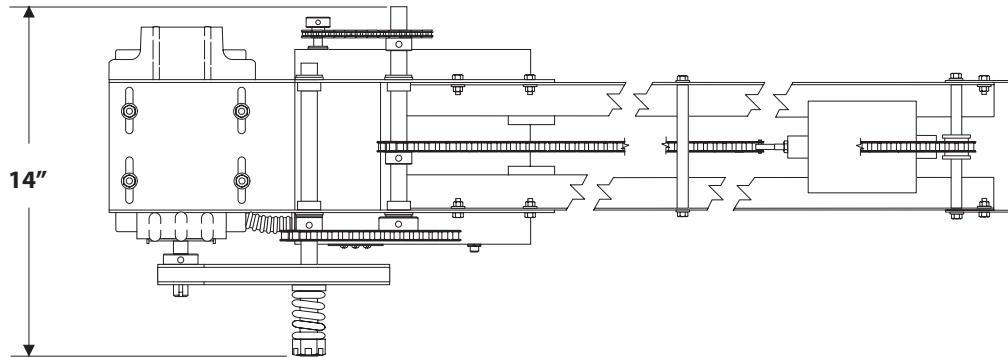
Power Door Products

(914) 698-5083

[www.PowerDoorProducts.com](http://www.PowerDoorProducts.com)



## SPECIFICATIONS & FEATURES



**AVAILABLE HORSEPOWER:** 1/2 HP

**POWER REQUIREMENTS:** 115V, 1 PHASE

SELECTABLE OPERATING MODES B2, C2, D1, E2, T, TS

FIELD ADJUSTABLE BUILT IN FUNCTIONS INCLUDING:  
TIMER TO CLOSE, MID-STOP, DELAY ON REVERSE, LOCK  
BAR SENSING, MAXIMUM RUN TIME, ETC.

HEAVY DUTY #65 ROLLER CHAIN AND DRIVE

24 VAC CONTROL CIRCUIT PRE-WIRED TO ACCEPT RADIO  
CONTROL, 3 BUTTON STATION, 1 BUTTON STATION,  
AUTOMATIC REVERSING EQUIPMENT, AUTOMATIC  
CLOSING TIMER, AND ALL TYPES OF ACCESS CONTROL  
EQUIPMENT.

ADJUSTABLE TORQUE LIMITING CLUTCH

BAKED ON, BLACK POWDER COAT FINISH

**SHIPPING WEIGHT:** APPROX. 83 LBS (WITHOUT TRACK)

## CAUTION

A moving door can cause serious injury or death! Carefully read and follow all safety instructions, precautions, and guidelines when installing and using this product. Motorized doors are for vehicles only. Pedestrians must use a separate entrance. **NO ONE SHOULD CROSS THE PATH OF A MOVING DOOR!** Proper reversing devices must be installed to avoid all hazards and entrapment. Eliminate all hazards and entrapment areas. Warning signs must be permanently installed and visible to traffic and pedestrians. Never allow children to operate or play with controls. Follow UL 325 and ASTM F220-02 standards. Do not install this product unless all hazards and entrapment points are protected.

