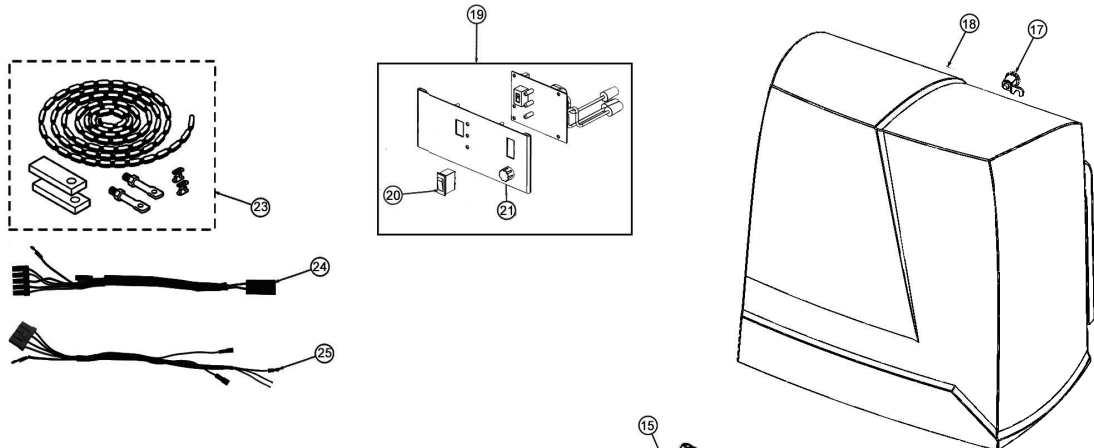


PARTS DIAGRAM:



Item	Description	Part No.
1	Chassis	VNXX2CH
2	Gearbox	VNXX2GB
3	Motor	VNXX2MO
4	Brush Kit	VAMBK
5	Electronic Positioning Sensor 2 (EPS2)	VNXSLEPS2
6	Sprocket	VAL3SP17
7	Idler Pulley	DSIP10
8	Idler Bushing	DSIB10
9	Manual Release Switch	DUMRS10
10	Battery Switch	DUMSR10
11	120V Receptacle	VA120PL
12	Battery	DUBB12
13	Power Supply Cover	VNXX2PSC
14	Toroid Transformer - 10 amp	DUTT10
15	Control Board	VFLEXPCBU18
16	Alarm	DUAL10
17	Lock Cylinder & Key(s)	VNXSLCL
18	Operator Cover	VNXX2CV
19	Power Supply Panel Assembly	VNXX2PSPA
20	120VAC Power Switch	DUMRS10
21	Fuse - 4 amp	VNXF4A
22	Fuse - 15 amp	VNXF15A
23	25' #40 Chain Kit, Nickel Coated	VAL3CKN
24	Motor Harness	VNXX2MH
25	Power Harness	VNXX2PH
26	Smart Position Sensor (SPS)	VASPSK2NX
27	SPS PCB Assembly	VSPSPCBK

