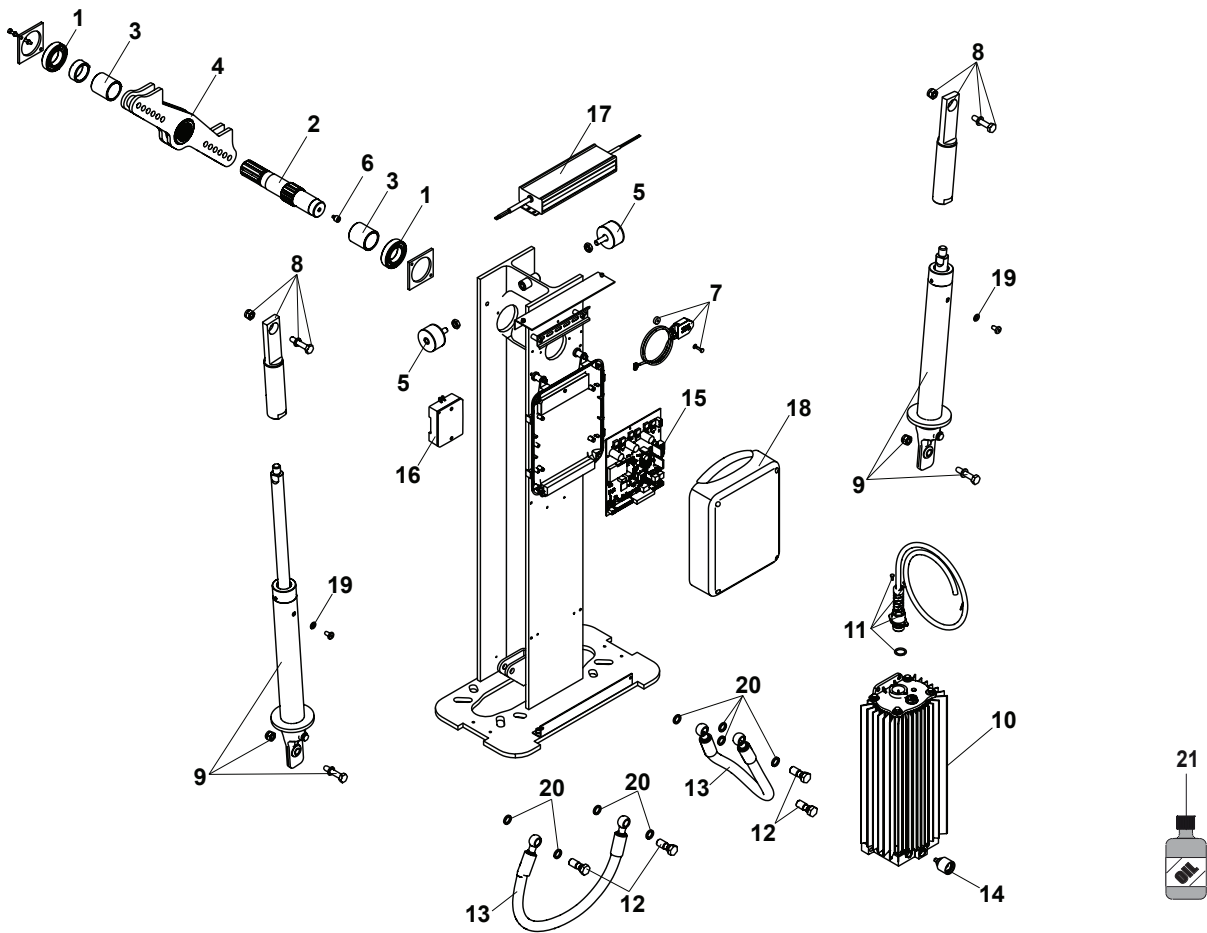
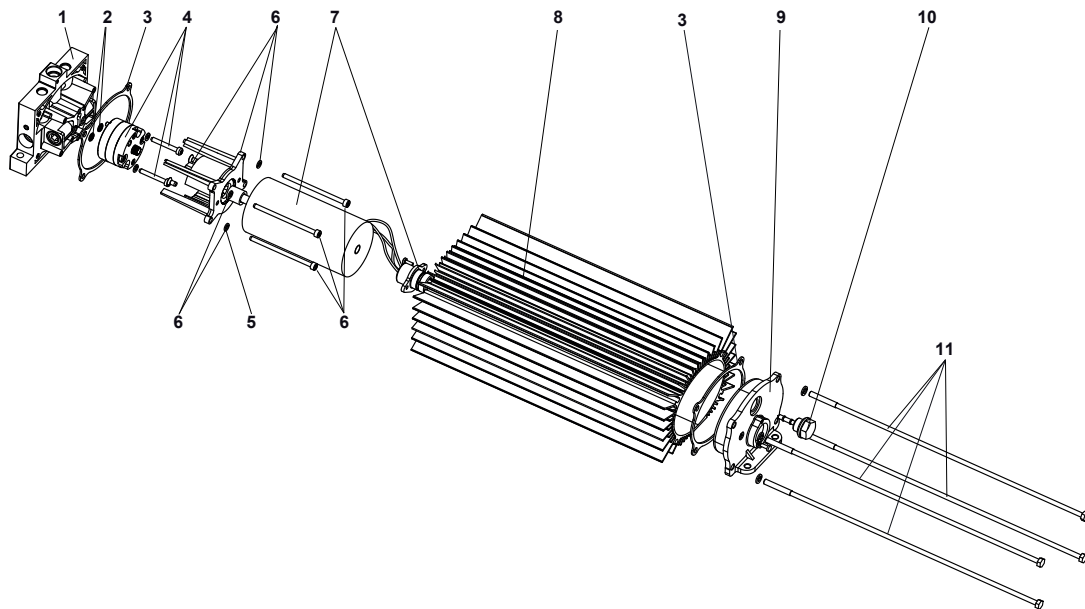


12. SPARE PARTS



Part	Part Number	Description
01	63000108	Bearing
02	63000118	Splined Shaft Kit
03	63000137	Lever Bearing Spacer
04	63000132	Rocker Arm
05	63000131	Positive Stops
06	63000138	Encoder Magnetic Sensor
07	63000111	Encoder
08	63000109	Fork With Ball Joint Group
09	63000133	Cylinder
10	63000129	Hydraulic Unit
11	63000113	Female Connector Kit
12	7110115	Eye Bolt
13	63000112	Hydraulic Hoses
14	63000117	Manual Release Group
15	63000128	Electronic Control Board
16	-	Power Switch
17	63000119	B680 Power Supply Group
18	63000139	E680 Control Board Box Cover



Part	Part Number	Description
01	63000162	Distribution Flange Group
02	7090010015	O-ring 4.48 X 1.78
03	63000154	Hydraulic Unit Gasket
04	63000696	1,5 L/Min Pump
05	703101	Lock Washer
06	63000123	Motor/Pump Interface Flange
07	63000122	Brushless Motor Group
08	63000159	Hydraulic Tank
09	63000124	Tank Cover
10	7112065	Oil Level Plug With Level Indicator
11	63000158	Hydraulic Unit Tie Rod