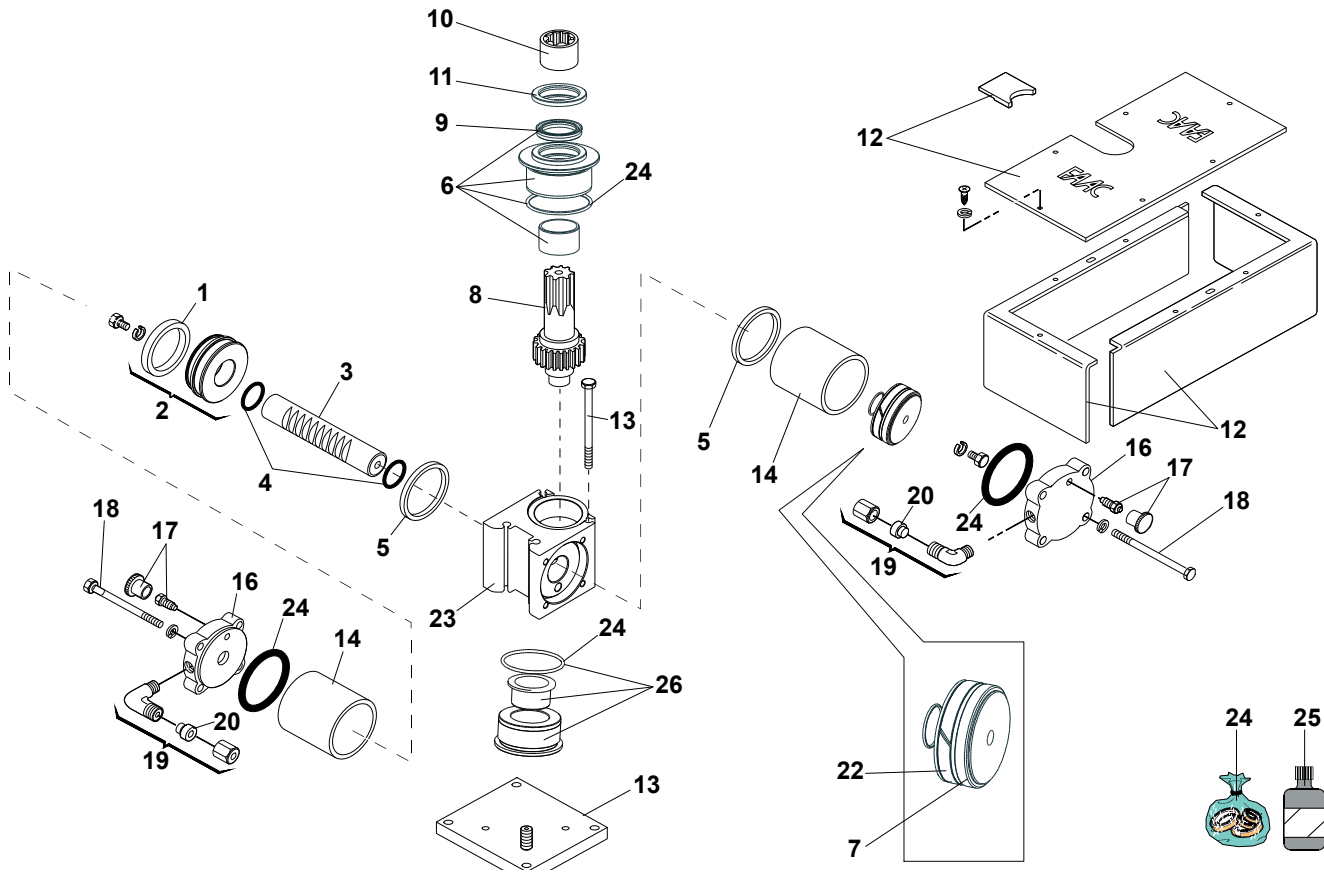


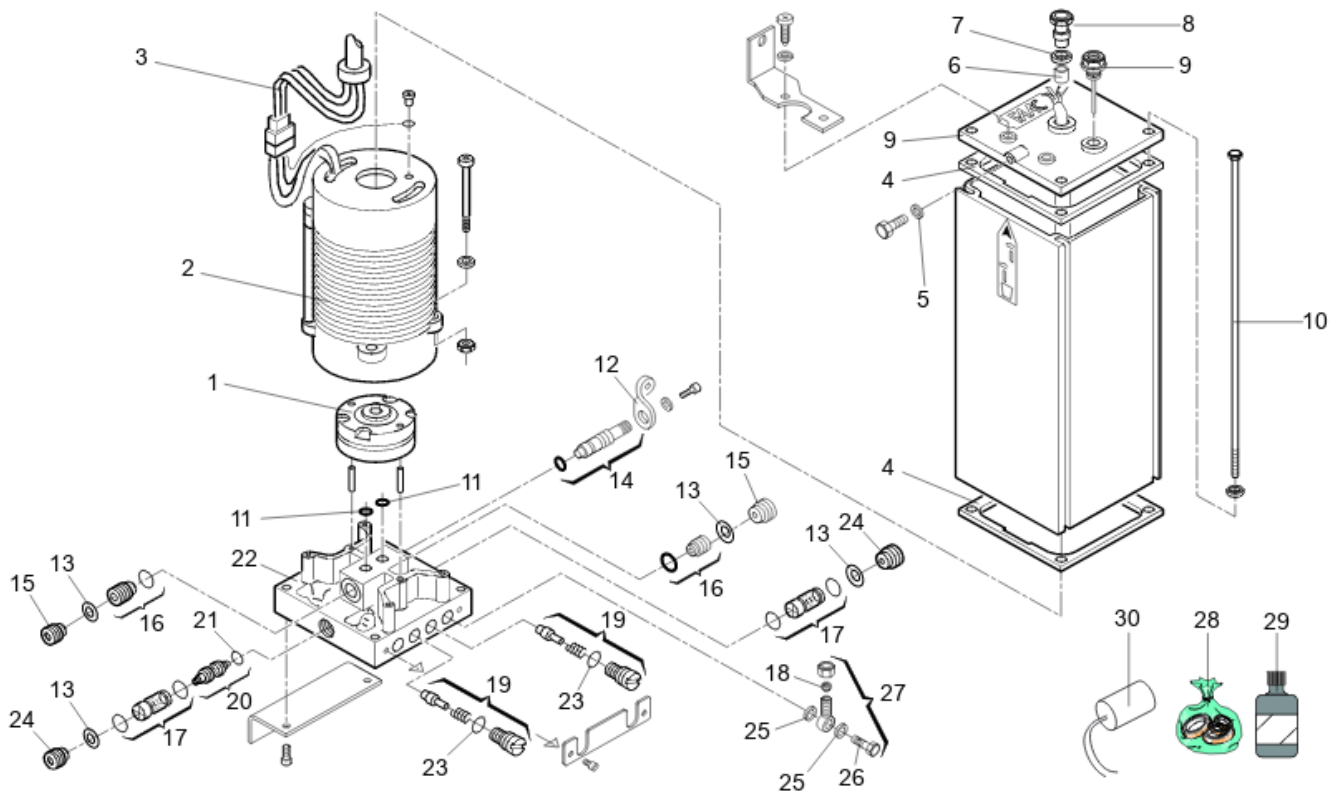
Hydraulic drive unit



Part	Part Number	Description
1	7092025	Piston Seal
2	390112	Piston Group
3	7193055	100 Degree Rack
4	7090380025	O-Ring 29.82 x 2.62 mm
5	7099195	Cylinder Gasket
6	63003323	Bushings Group
7	7092025	Piston Seal
8	7192465	Pinion Shaft
9	7095075	Top Seal
10	7309095	Splined Joint Collar
11	7093225	Dust Cover
12	63003325	750 Complete Box

Part	Part Number	Description
13	63003324	750 Leveling Plate And Bolt
14	7366245	Cylinder 750 Drive 100 Degree
15	7090170015	O-Ring 66.4 X 1.78mm
16	63003322	750 Operator Flange Group
17	63003308	Bleeding Valve Group
18	7011345	Mounting Bolt (Top)
19	390700	Banjo Bolt Kit
20	7102055	Ferrule Fitting
22	7049195	Piston Seal
23	7161745	Body
24	2171.1	Drive Unit Gasket Kit
25	714019 Qt.1	Oil 1 Quart Bottle FAAC HP

Hydraulic control unit



Part	Part Number	Description
1	3204435	Cast Iron Pump Lobe .75 Lt
2	77002025	Motor 115V
3	7514125	Electric Cord UL
4	7099315	Flange Gasket
5	7094065	Copper Washer
6		
7	7109235	Strain Relief Kit
8		
9	7112055	Oil Plug
10	7019145	Tierod (Pack of 5)
11	7090010015	O-Ring 4.48 x 1.78 mm
12	7290155	Manual Release Handle
13	63000577	Washer Cup Spring (30 pc pack)
14	4180225	Manual Release
15	7049135	Valve Retainer
16	4404065	Inlet Valve

Part	Part Number	Description
17	4404085	Lock Valve
18	7102055	Ferrule Fitting
19	4180395	Brass Bypass Valve
20	4180285	Shuttle Piston
21	7090300015	O-Ring 7.66x1.78 mm (20 pcs)
22	63000613	Distribution Flange
23	7090150015	O-Ring 9.25 X 1.78mm
24	7049005	Brass Valve Retainer
25	63003231	Bonded Seal Hydraulic Hoses
26	7110115	Banjo Bolt
27	390700	Banjo Bolt Kit
28	2170.1	Seal Kit Pump Unit
29	714019 QT.1	Oil 1 Quart Bottle FAAC HP
30	2705	Capacitor 115V 25uf