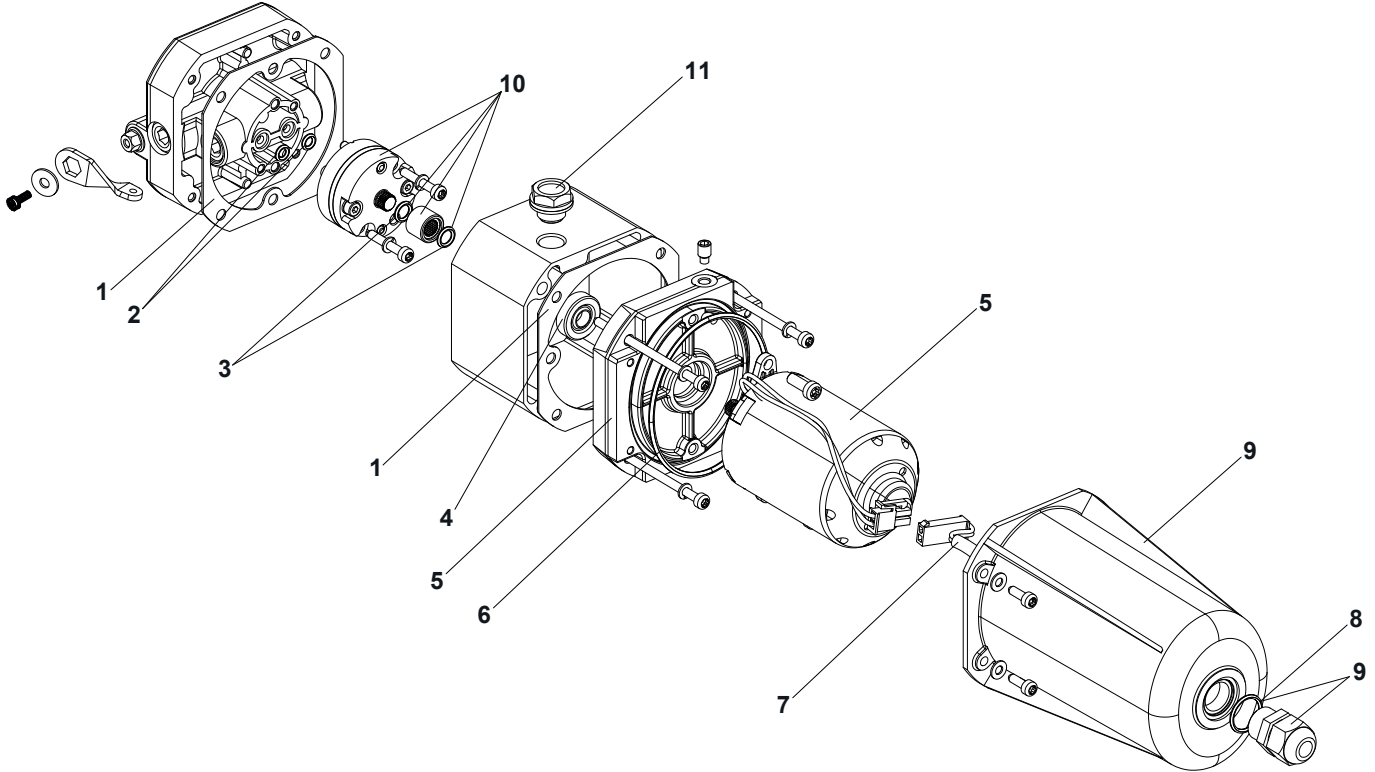


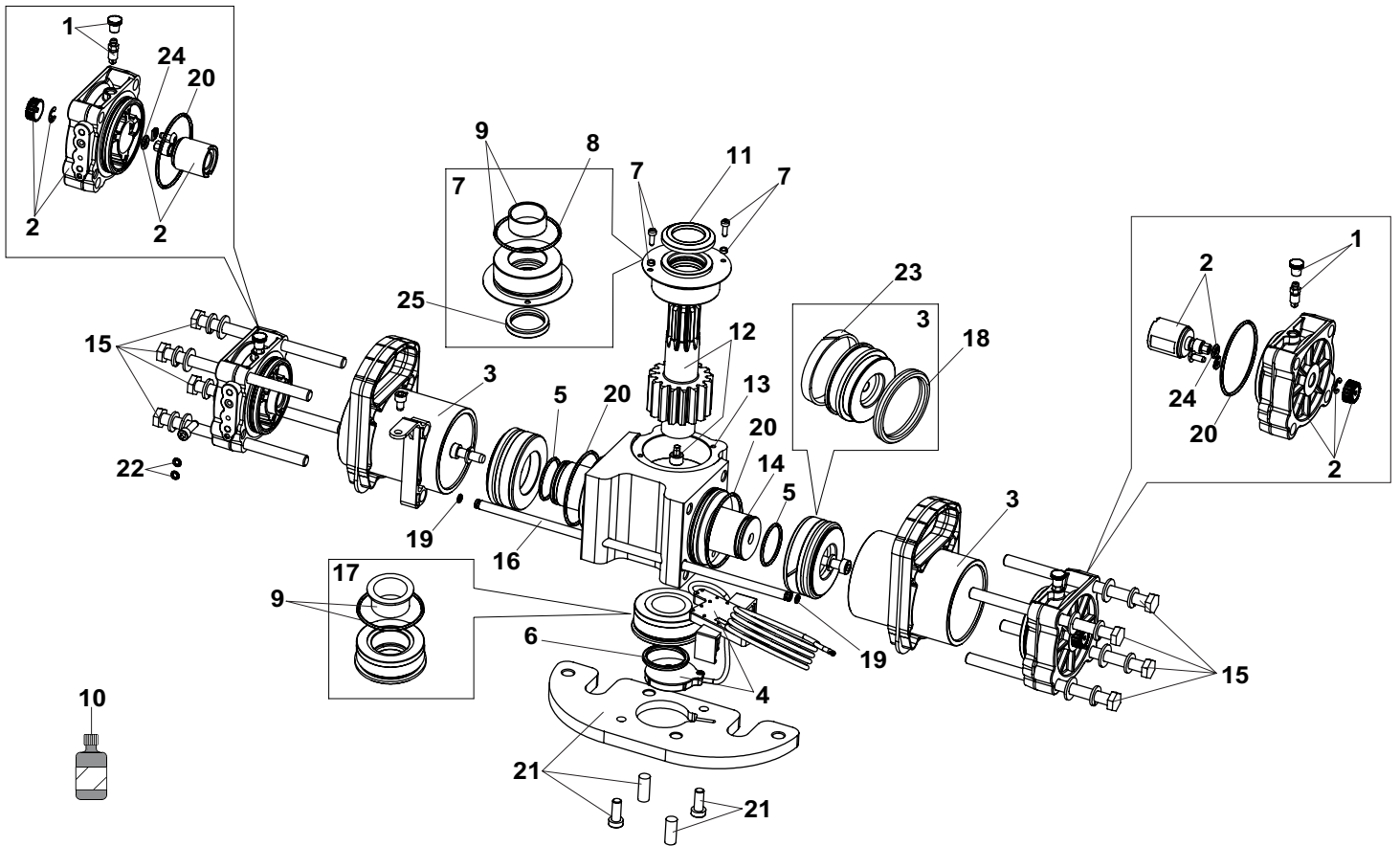
SPARE PARTS DIAGRAMS

PUMP AND MOTOR



Part	Part Number	Description
1	63000276	Tank Gasket
2	7090010015	O-Ring 4.48 x 1.78 mm
3	7090815	O-Ring Retract Tube
4	63000306	Gasket
5	63000376	Motor And Flange
6	7090100025	O-Ring 72.69x6.62mm
7	63001665	Motor Wire Harness
9	63002635	Motor Cover
10	63003313	Pump and Joint
11	7110015	Oil Plug

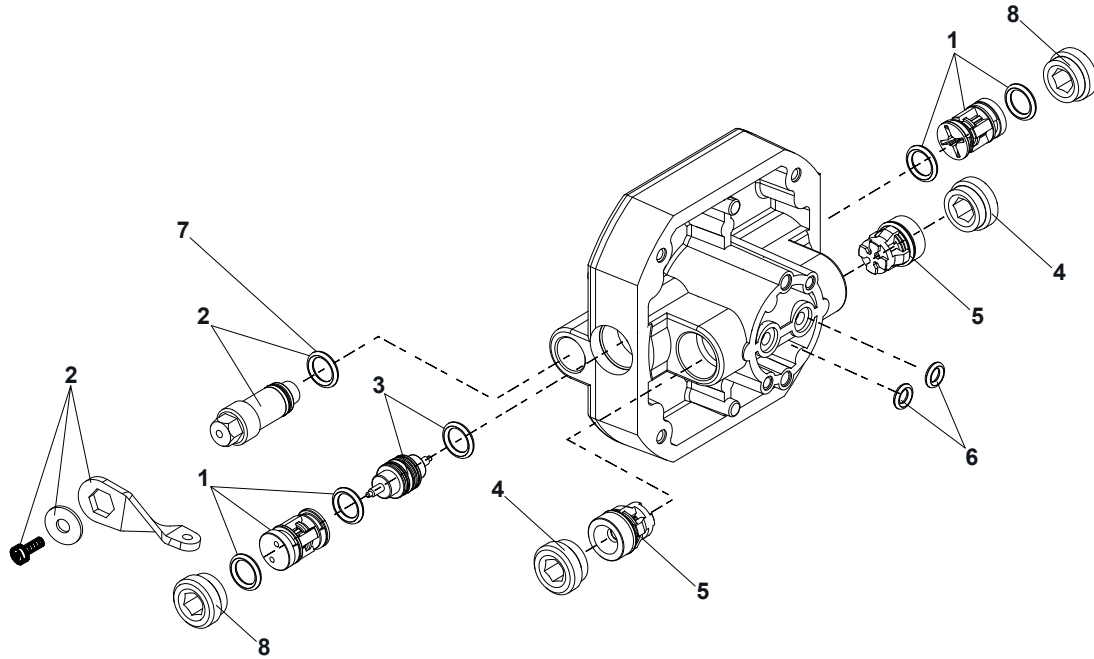
DRIVE UNIT 100 °



Part	Part Number	Description
1	63003308	Bleeding Valve Group
2	63003309	Flanges & Positive Stops
3	63003311	Cylinder and Piston Group 100°
4	63000559	Encoder
5	7090350025	O-Ring 34.6 x 2.62 mm
6	63000560	O-Ring 3.53 x 34.52 mm
7	63000557	Upper Bushing Group
8	63000176	O-Ring 55.25x2.62mm
9	63003307	Bushings Group
10	714019 QT.1	Oil 1 Quart Bottle FAAC HP
11	7093225	Dust Cover
12	63000558	Pinion
13	63003260	Body
14	63000086	Rack 100°
15	63000561	M10 x145 mm Bolts (Pack of 8)

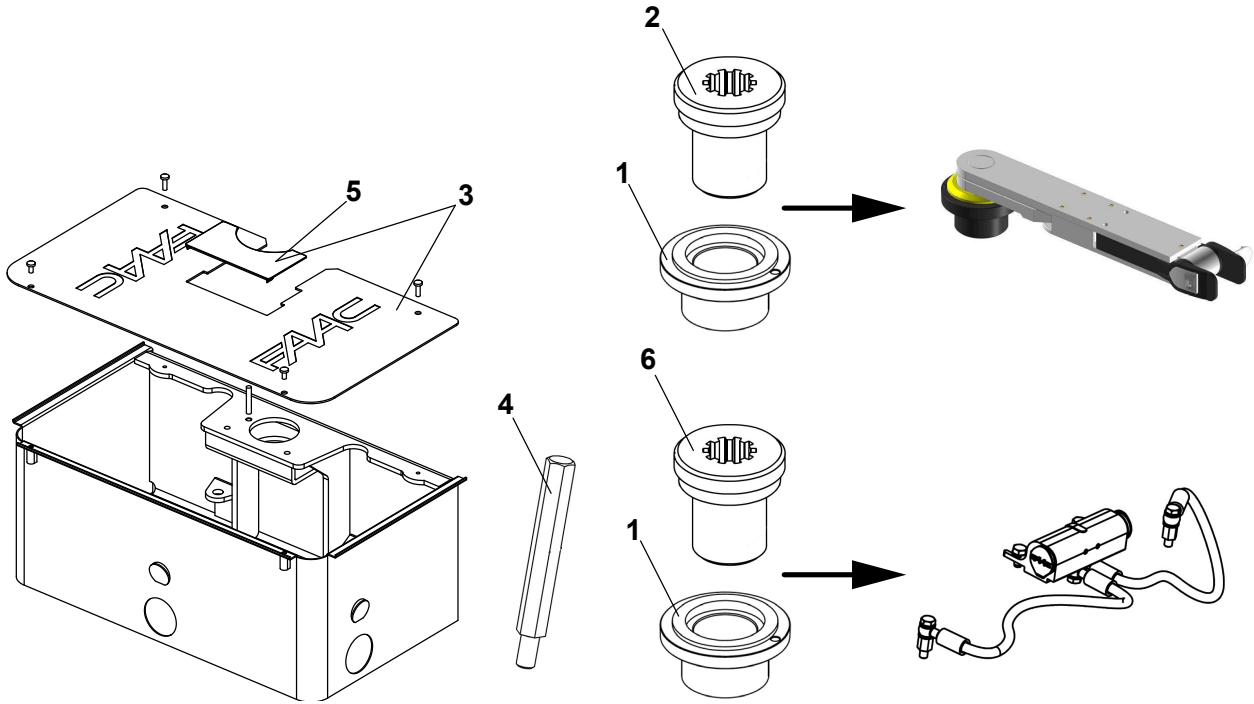
Part	Part Number	Description
16	63000156	Retract Tube 100°
17	63000554	Lower Bushing
18	7092025	Piston Seal
19	7090635	O-Ring 5 x 1.5 mm
20	7090490025	O-Ring 64.77 x 2.62 mm
21	63003261	M10 Base Plate
22	7090010015	O-Ring 4.48 x 1.78 mm
23	7049195	Piston Seal
24	63000346	O-Ring 7.59 x 2.62 mm (10 pc pack)
25	7095075	Top Seal
	2182.1	Seal Kit

DISTRIBUTION FLANGE



Part	Part Number	Description
1	4404085	Lock Valve
2	63000336	Manual Release Lever
3	4180315	Shuttle Piston
4	7049135	Valve Retainer
5	4404065	Inlet Valve
6	7090010015	O-Ring 4.48 x 1.78 mm
7	7090030015	O-ring 6.75x1.78mmm
8	7049005	Brass Valve Retainer

LOAD BEARING BOX



Part	Part Number	Description
1	63000015	Bushing Group Low Profile
2	63000045	S800H Splined Joint Low Profile
3	63000075	Load Bearing Box Lid
4	63000065	Operator Mounting Bolt
5	63002455	Cover Plate
6	63002445	Splined Joint High Profile